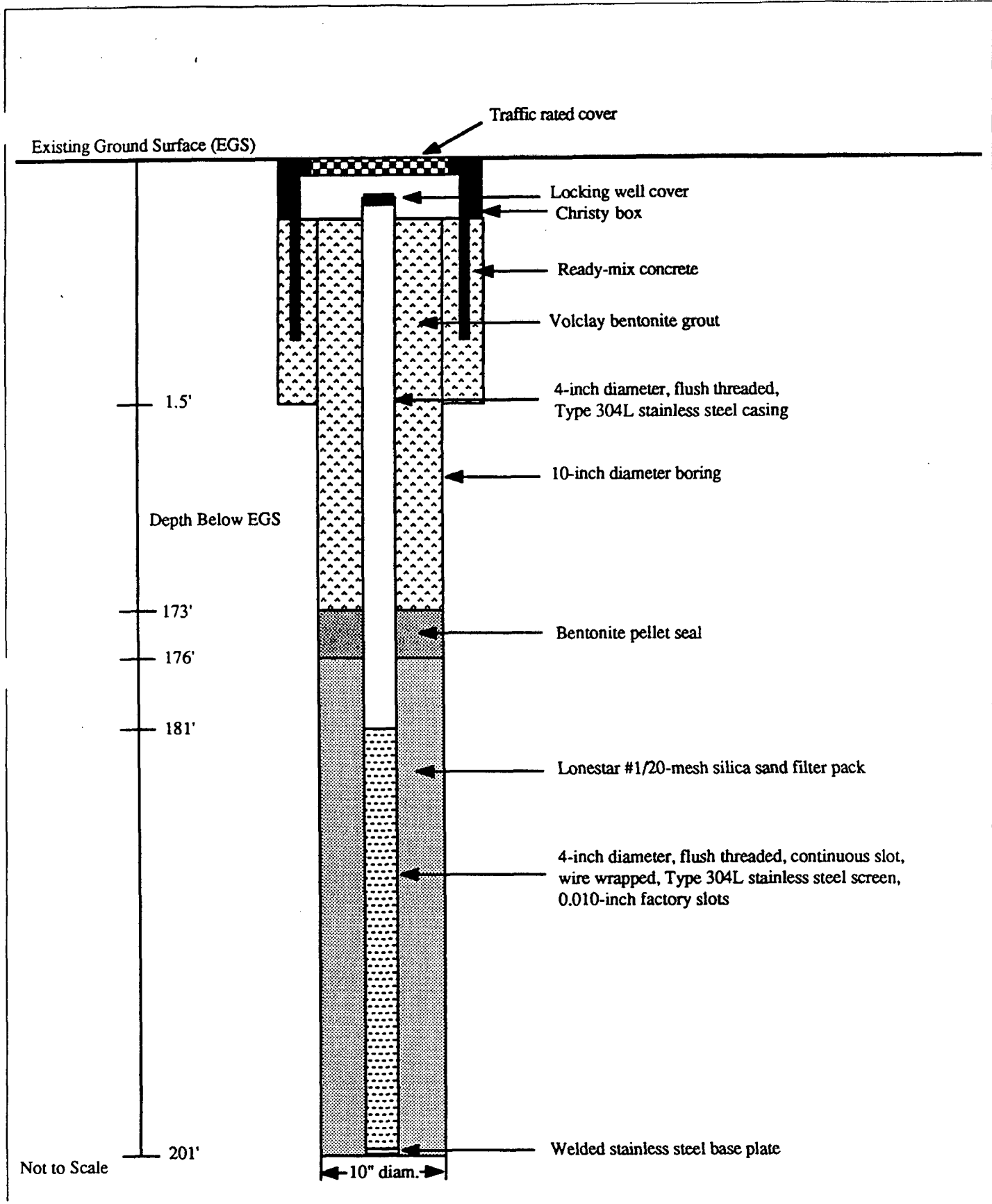


**PALOS VERDES LANDFILL
REMEDIAL INVESTIGATION REPORT**

APPENDIX C.4.2

**AS-BUILT DIAGRAMS:
RI WELLS AND LYSIMETERS**



Not to Scale

Herzog Associates
Geoscientists

Job No: 15384.01.00.7

Appr:

Drwn: PD

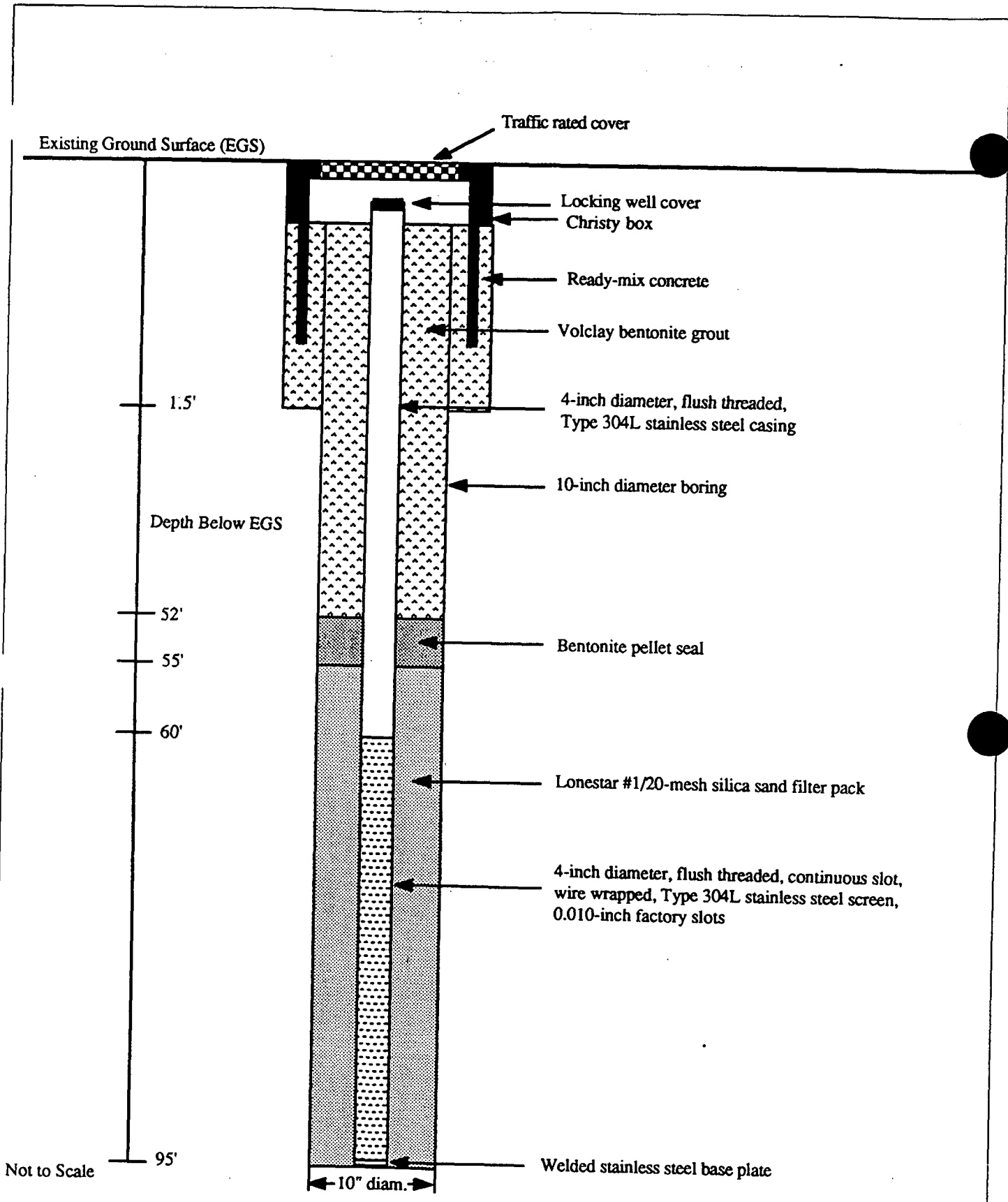
Date: NOV 1990

**PIEZOMETER RFB-3 DETAILS
(RENAMED M50B)**

PALOS VERDES LANDFILL RI/FS

Los Angeles County Sanitation District

PLATE



Herzog Associates
Geoscientists

Job No: 15384.01.00.7

Appr:

Drawn: PD

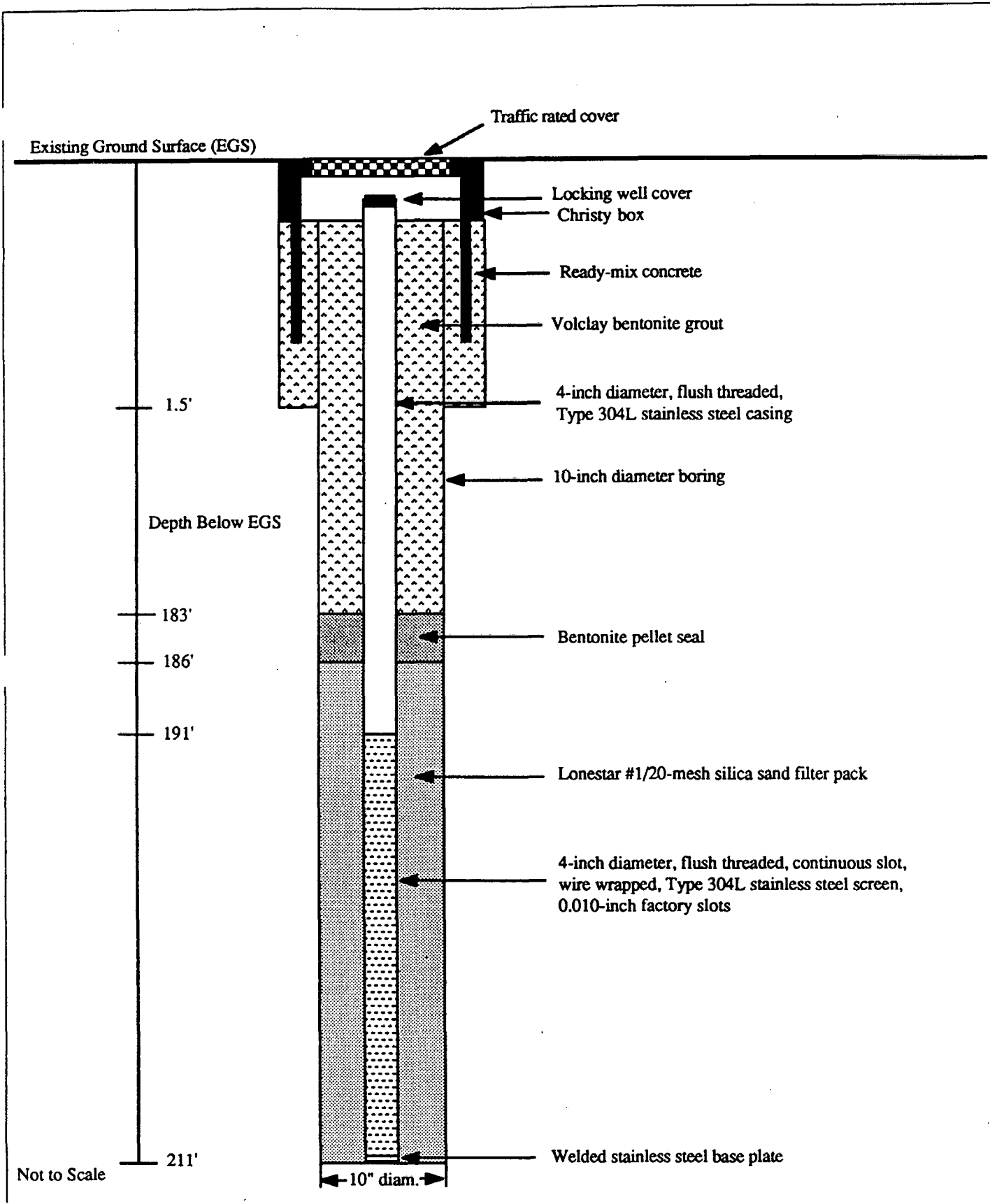
Date: NOV 1990

**PIEZOMETER RFB-4B DETAILS
(RENAMED M51B)**

PALOS VERDES LANDFILL RI/FS

Los Angeles County Sanitation District

PLATE



Herzog Associates
Geoscientists

Job No: 15384.01.00.7

Appr:

Drwn: PD

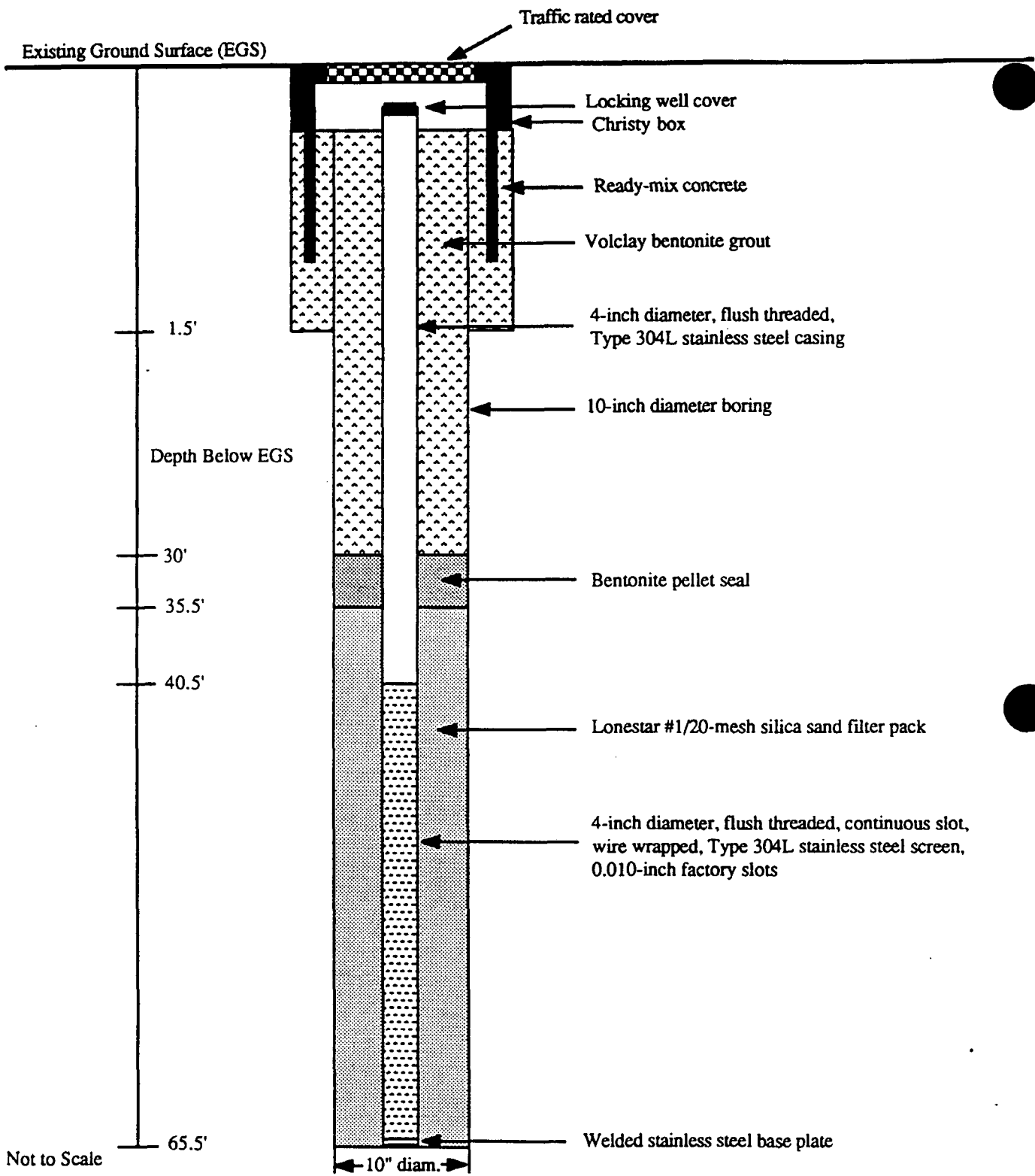
Date: NOV 1990

**PIEZOMETER RFB-13 DETAILS
(RENAMED M52B)**

PALOS VERDES LANDFILL RI/FS

Los Angeles County Sanitation District

PLATE



Not to Scale

Herzog Associates
Geoscientists

Job No: 15384.01.00.7

Appr:

Drwn: AHB

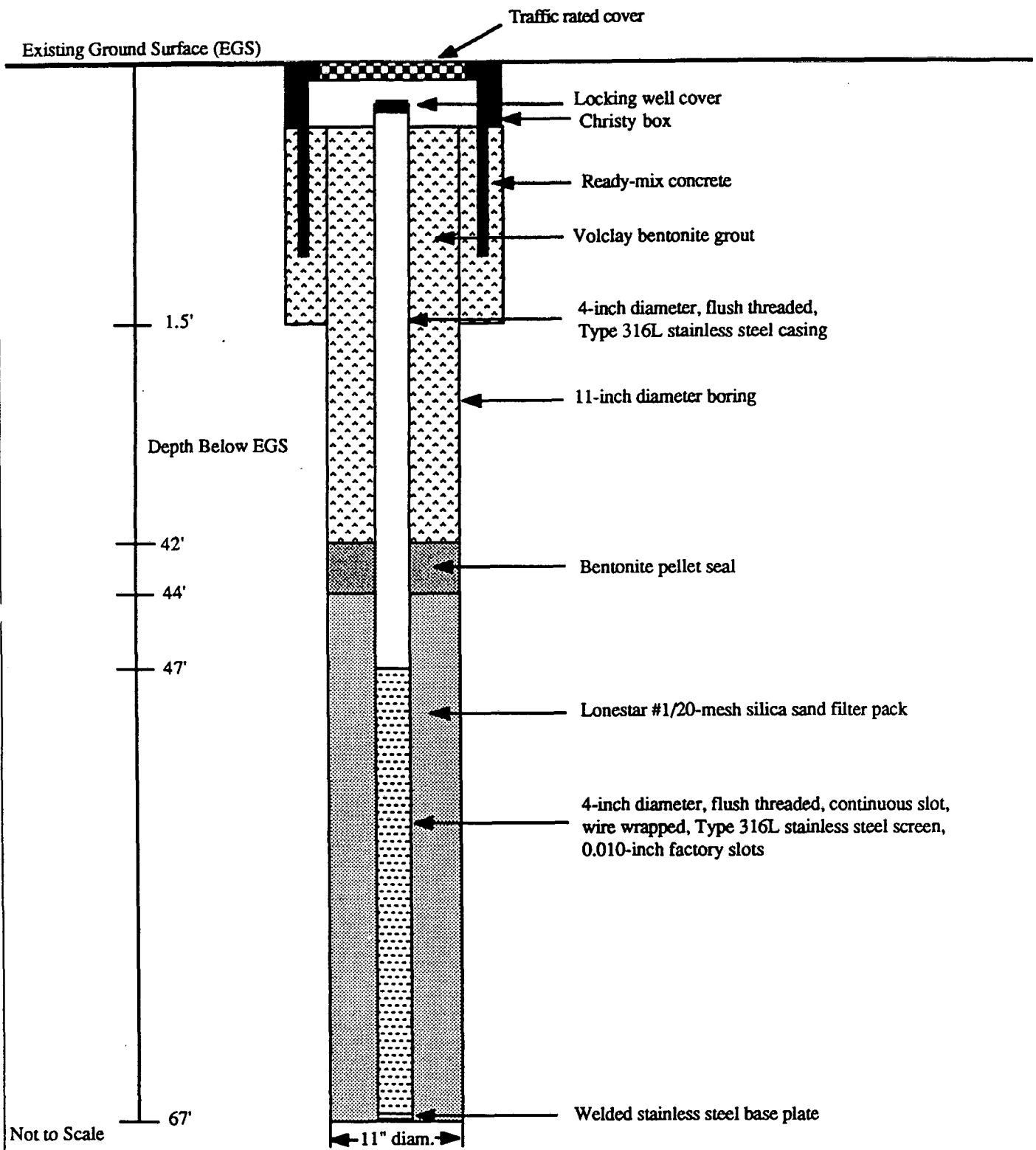
Date: JAN 1991

**PIEZOMETER RFB-16A DETAILS
(RENAMED M53B)**

PALOS VERDES LANDFILL RI/FS

Los Angeles County Sanitation District

PLATE



Herzog Associates
Geoscientists

Job No: 15384.02.00.7

Appr: *E. J. A.*

Drwn: PD

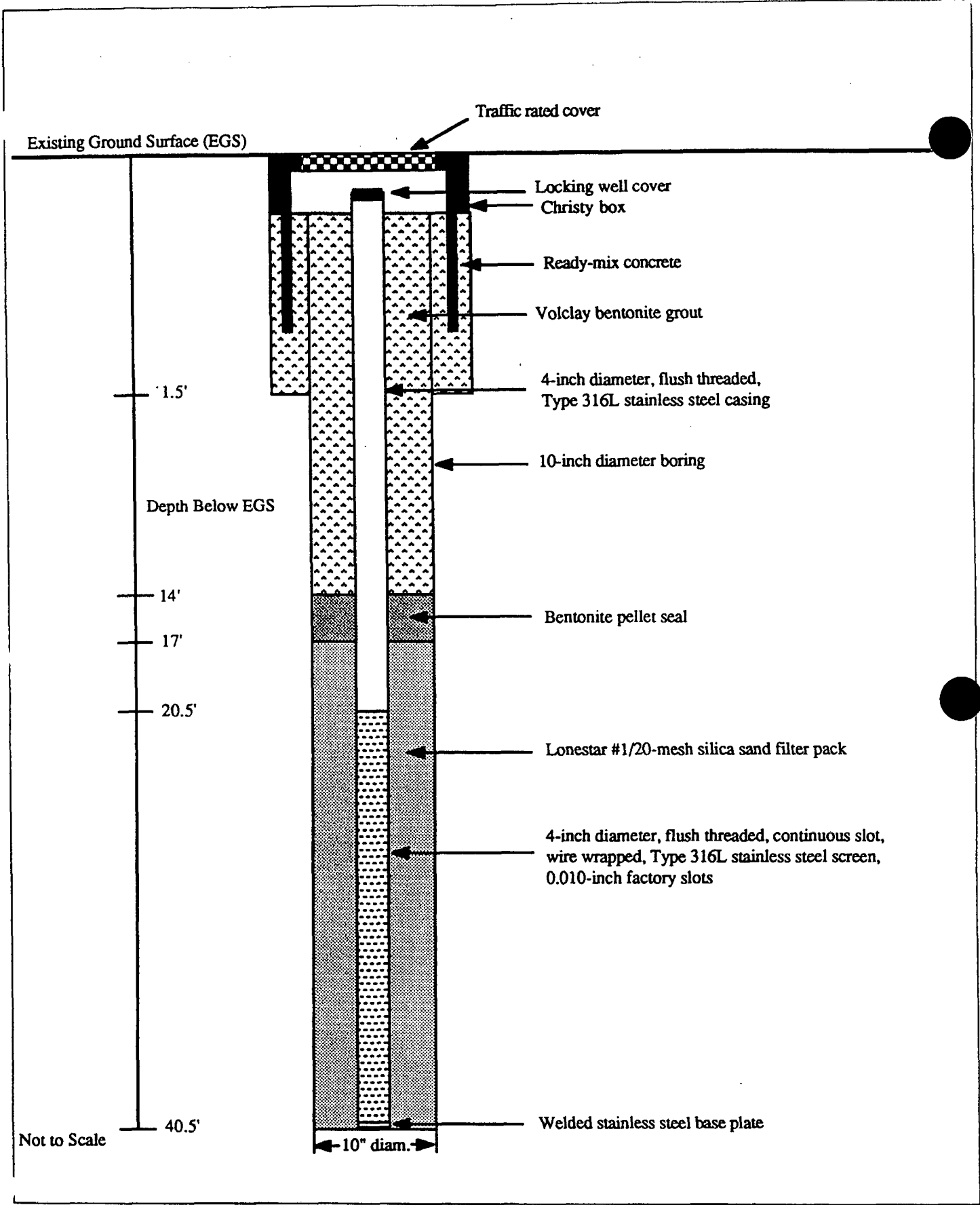
Date: NOV 1990

**PIEZOMETER RFB-20
(RENAMED M54B)**

PALOS VERDES LANDFILL RI/FS

Los Angeles County Sanitation District

PLATE



Herzog Associates
Geoscientists

Job No: 15384.02.00.7

Appr: *[Signature]*

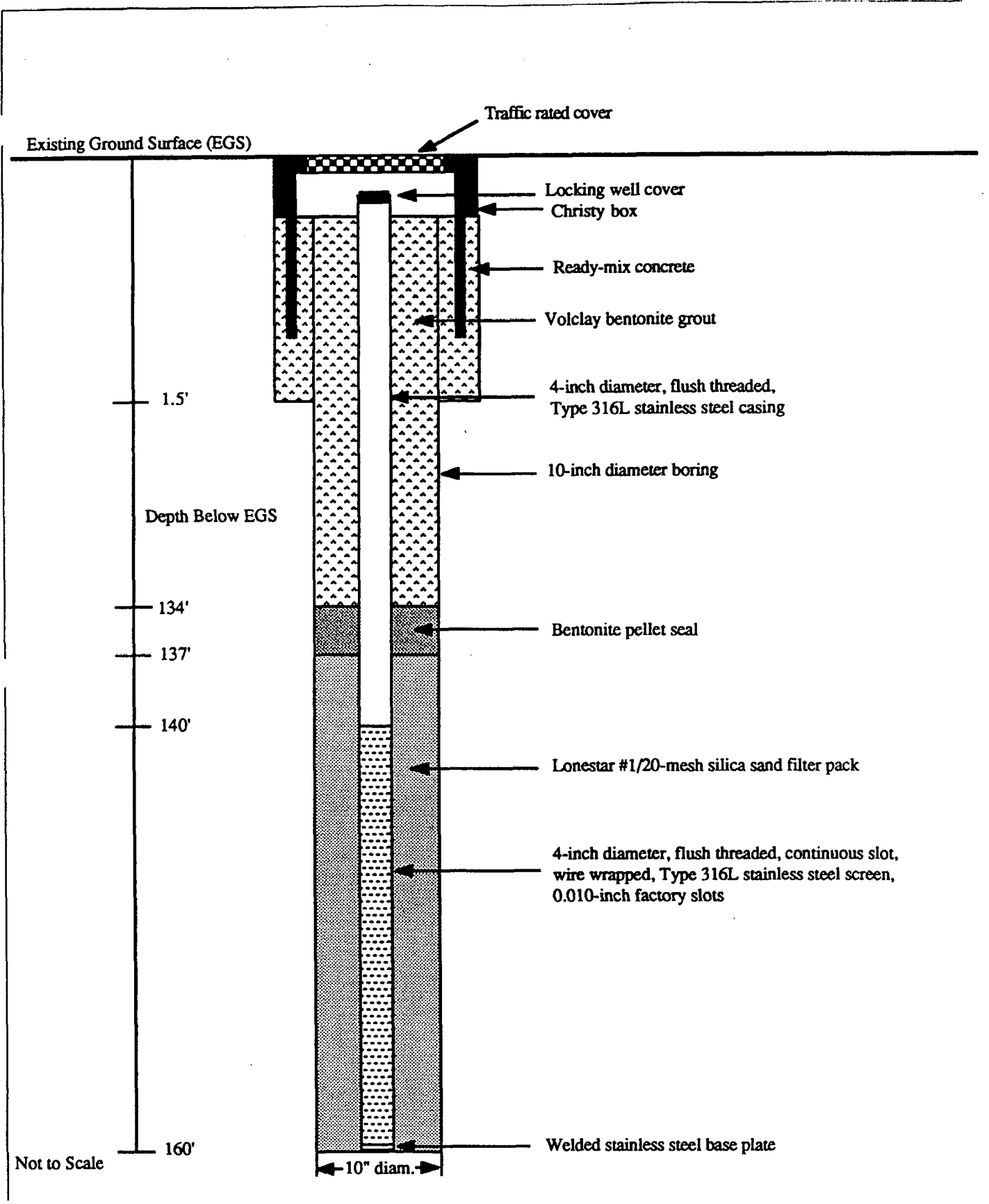
Drwn: PD

Date: NOV 1990

**PIEZOMETER RFB-21
(RENAMED M55B)**
PALOS VERDES LANDFILL RI/FS

PLATE

Los Angeles County Sanitation District



Herzog Associates
Geoscientists

Job No: 15384.02.00.7

Appr: *[Signature]*

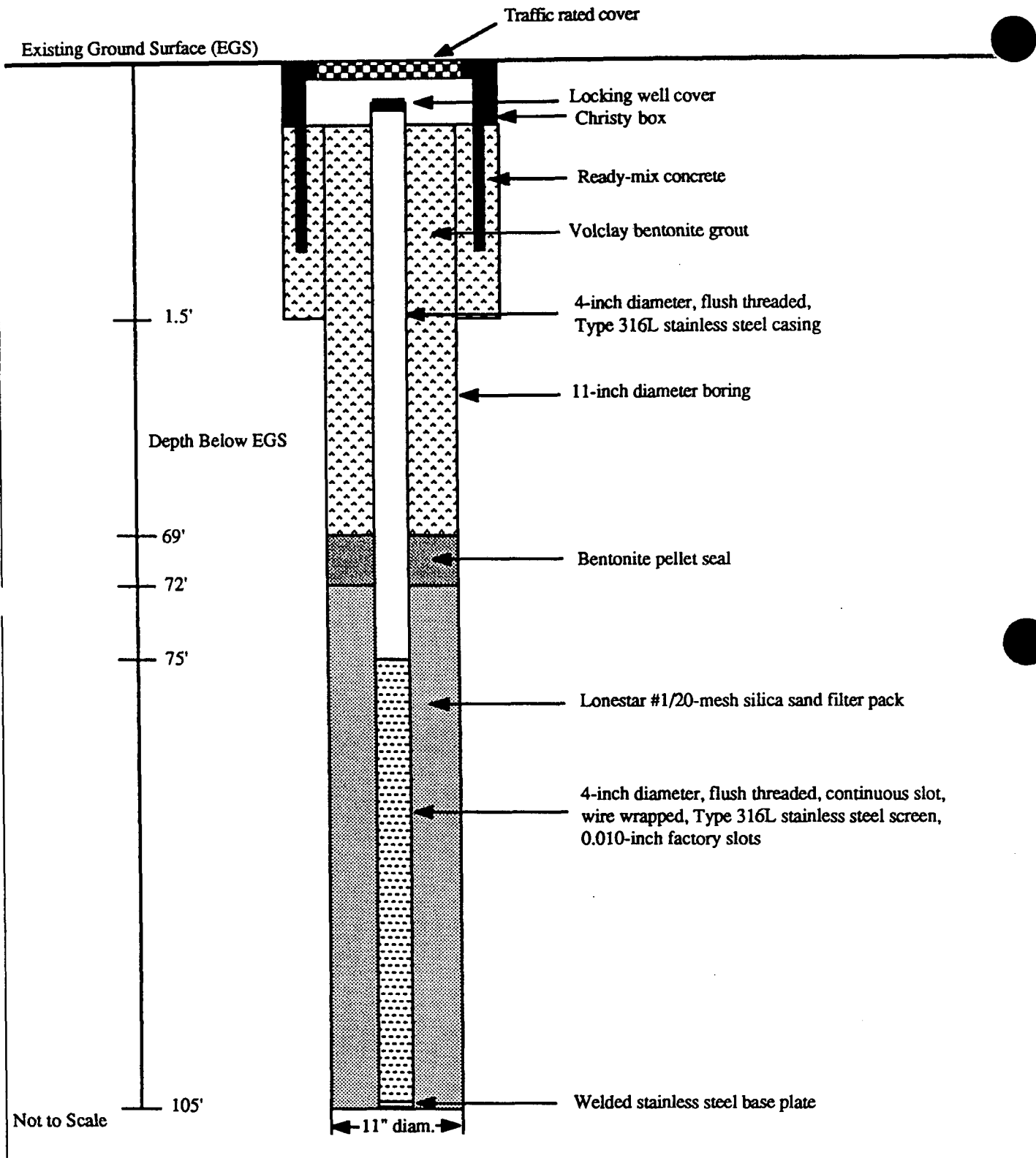
Drawn: PD

Date: NOV 1990

**PIEZOMETER RFB-24
(RENAMED M56B)**
PALOS VERDES LANDFILL RI/FS

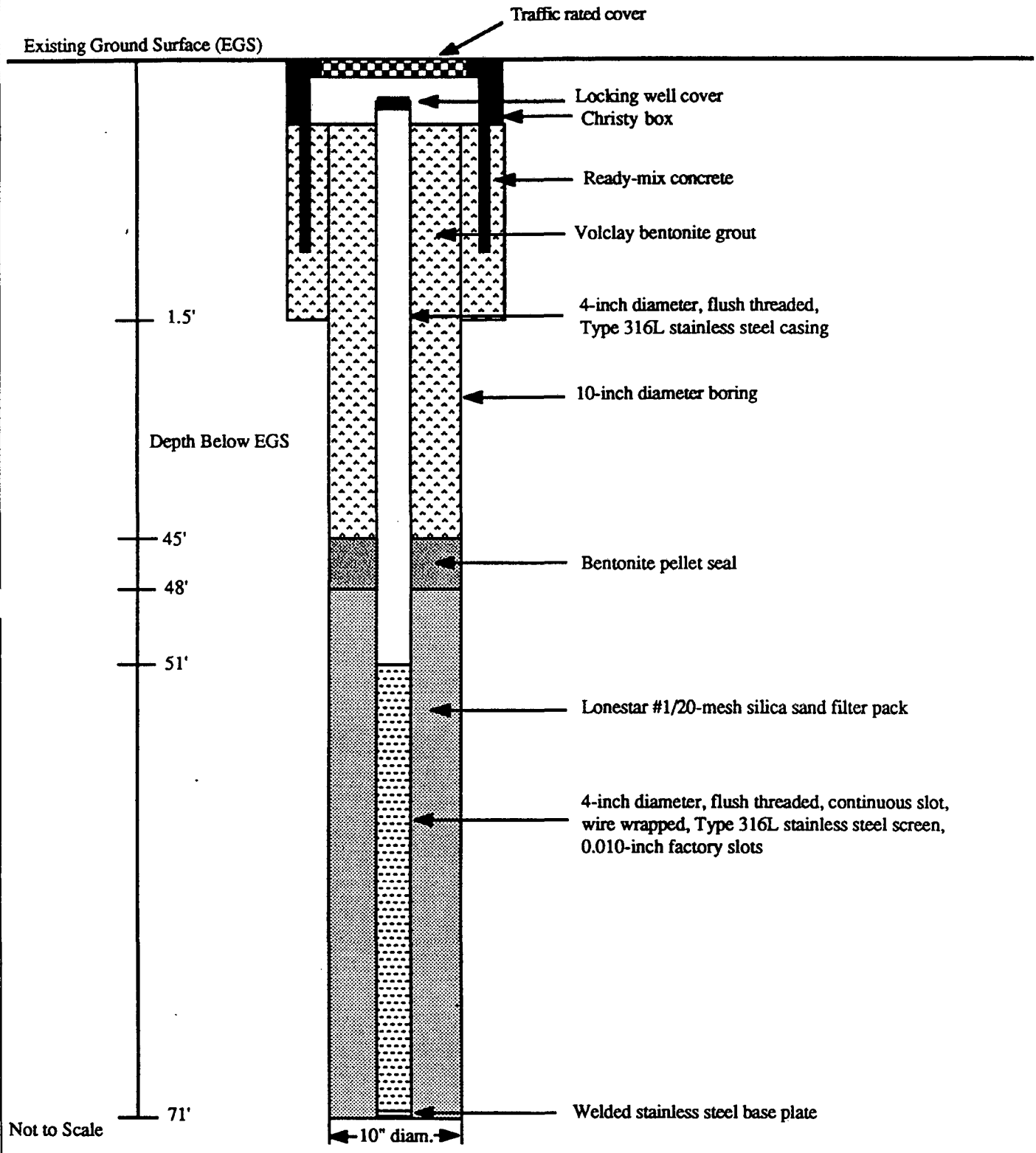
PLATE

Los Angeles County Sanitation District



Not to Scale

<p>Herzog Associates Geoscientists</p>	<p>Job No: 15384.02.00.7 Appr: <i>EGS</i> Drwn: PD Date: NOV 1990</p>	<p>PIEZOMETER RFB-25 (RENAMED M57B) PALOS VERDES LANDFILL RI/FS Los Angeles County Sanitation District</p>	<p>PLATE</p>
--	--	---	--------------



Herzog Associates
Geoscientists

Job No: 15384.02.00.7

Appr: *[Signature]*

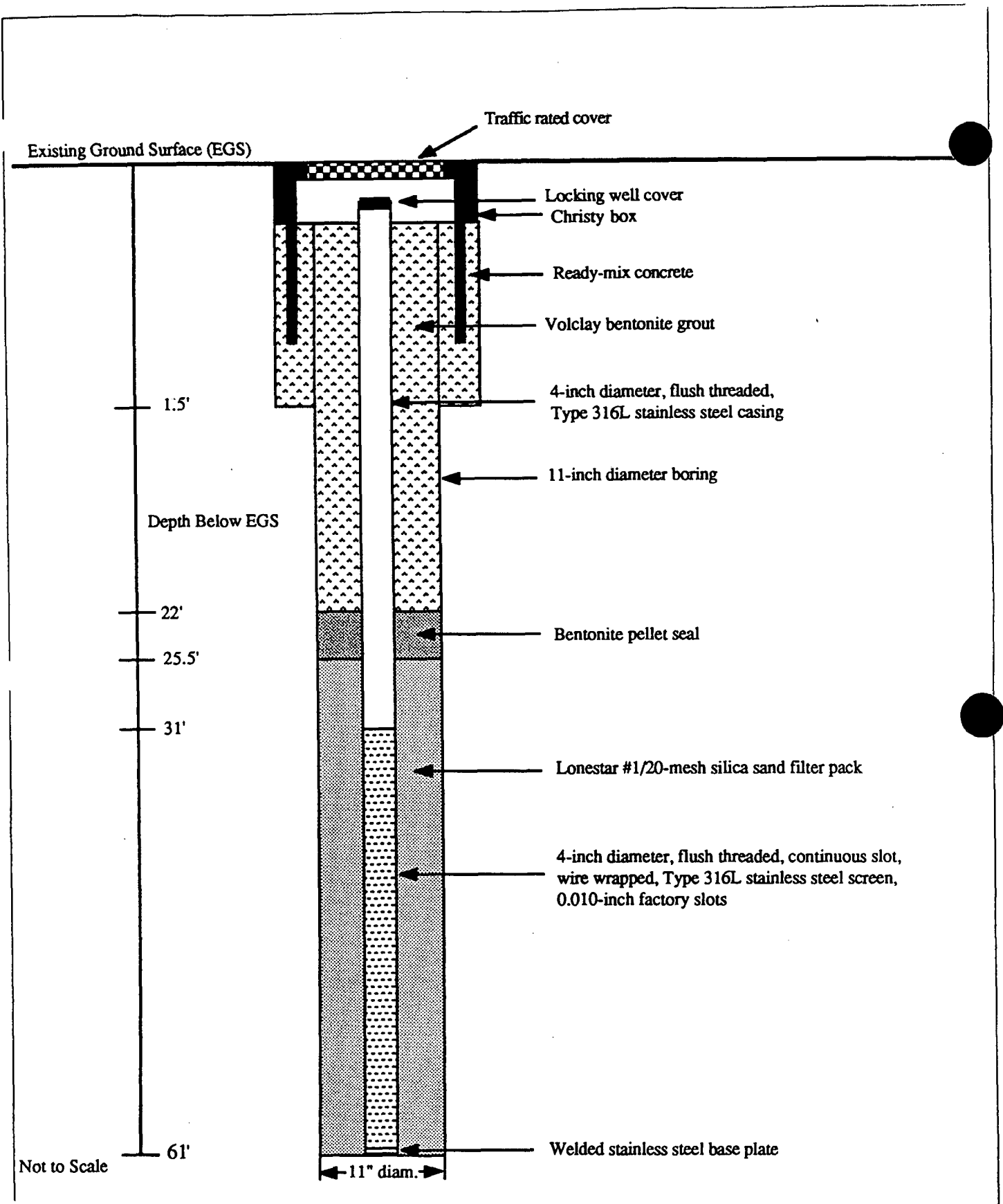
Drawn: PD

Date: NOV 1990

**PIEZOMETER RFB-26
(RENAMED M58B)**
PALOS VERDES LANDFILL RI/FS

Los Angeles County Sanitation District

PLATE



Herzog Associates
Geoscientists

Job No: 15384.02.00.7

Appr: *[Signature]*

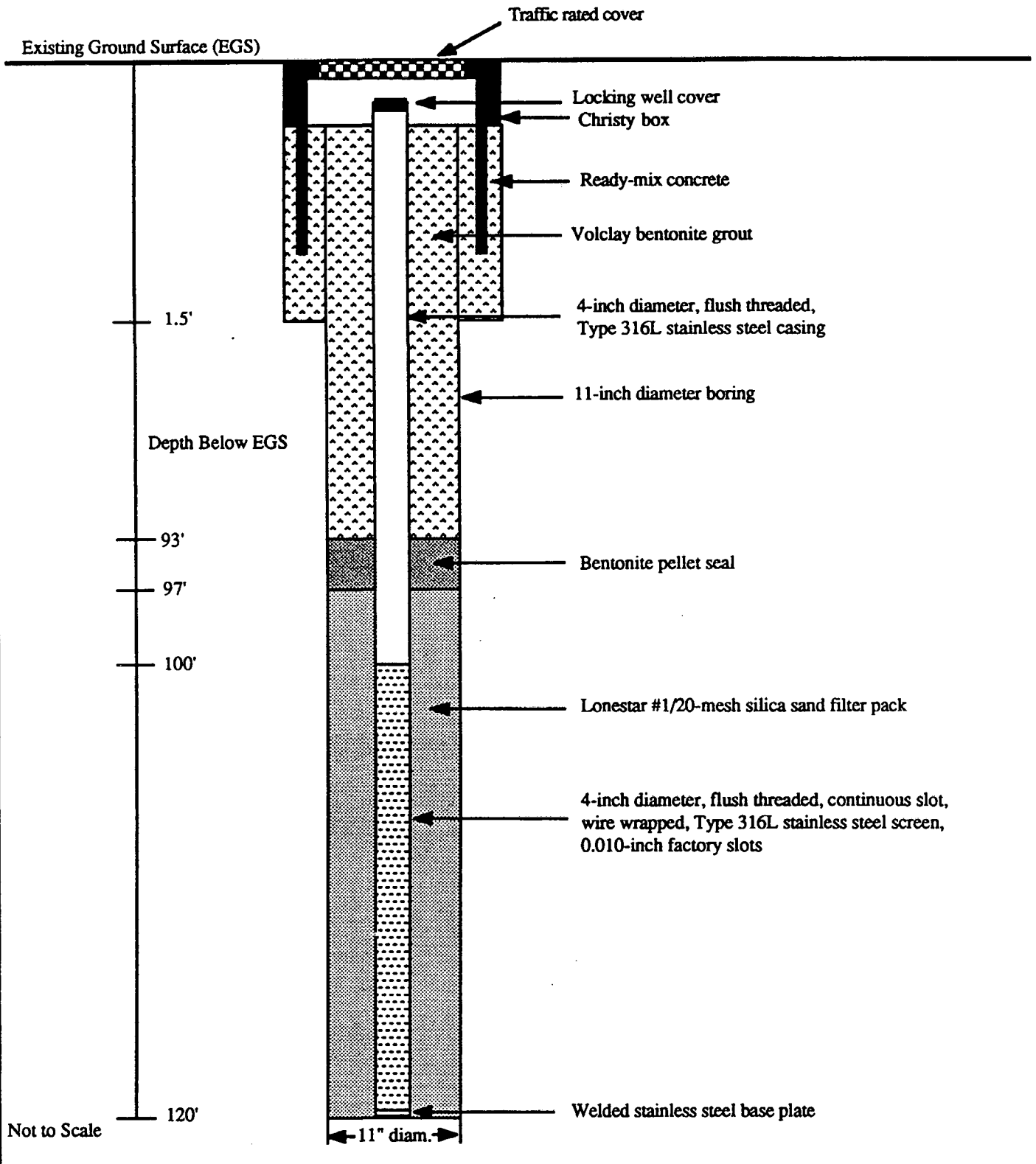
Drwn: PD

Date: NOV 1990

**PIEZOMETER RFB-27
(RENAMED M59B)**
PALOS VERDES LANDFILL RI/FS

Los Angeles County Sanitation District

PLATE



Herzog Associates
Geoscientists

Job No: 15384.02.00.7

Appr: *[Signature]*

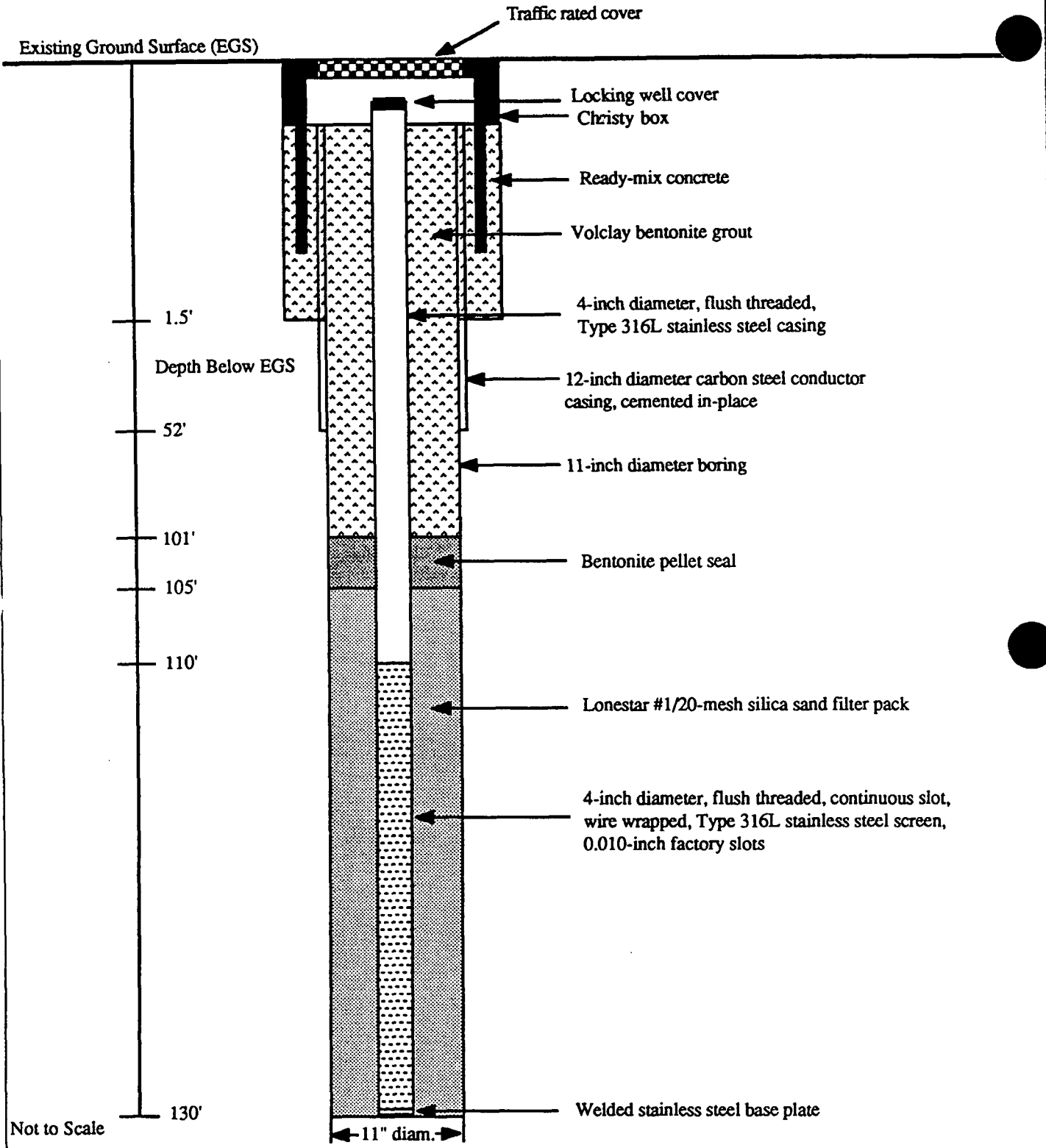
Drwn: PD

Date: NOV 1990

**PIEZOMETER RFB-29
(RENAMED M60B)**
PALOS VERDES LANDFILL RI/FS

Los Angeles County Sanitation District

PLATE

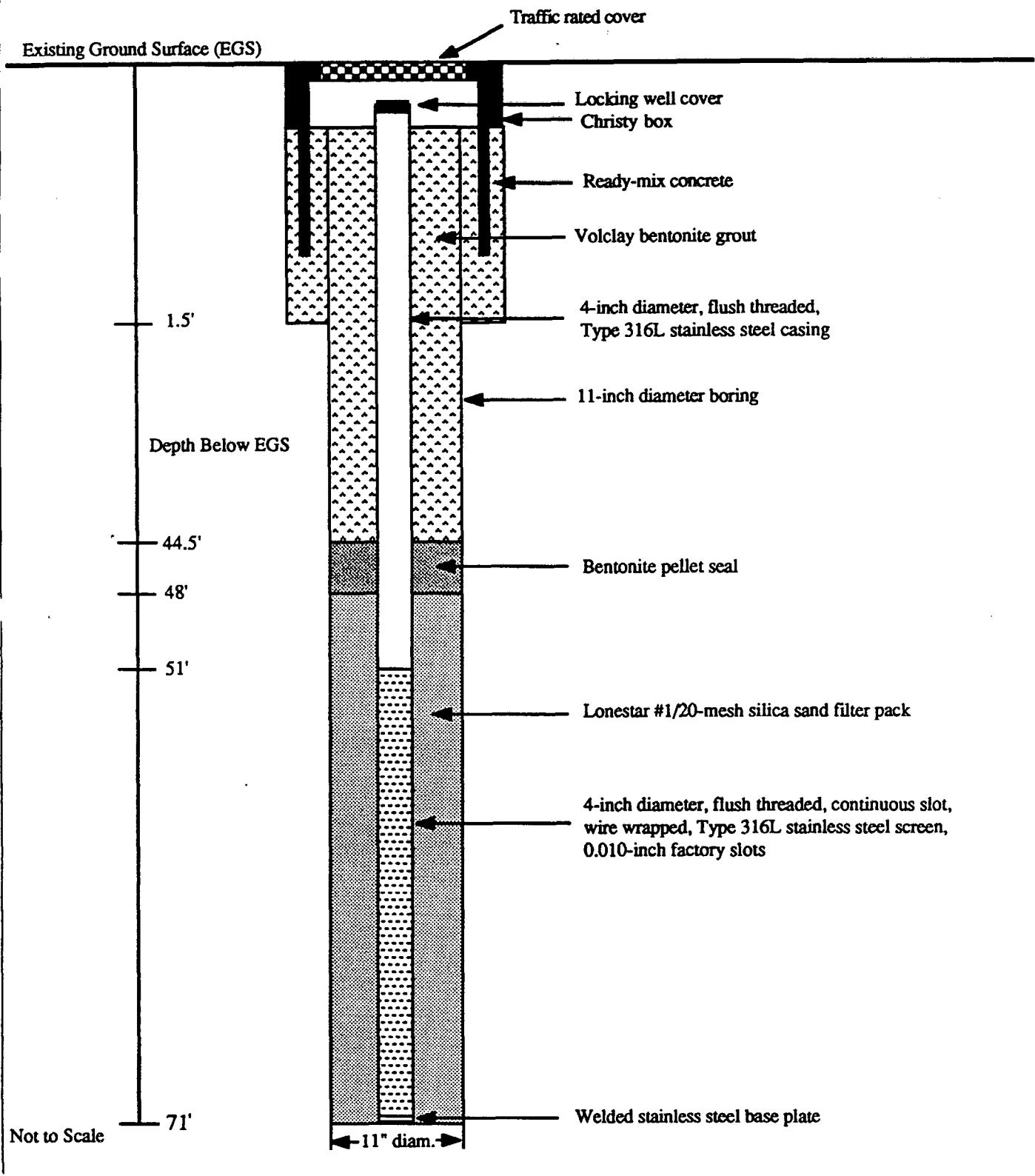


Herzog Associates
Geoscientists

Job No: 15384.02.00.7
 Appr: *[Signature]*
 Drwn: PD
 Date: NOV 1990

**PIEZOMETER RFB-31A
 (RENAMED M61B)**
 PALOS VERDES LANDFILL RI/FS
 Los Angeles County Sanitation District

PLATE



Existing Ground Surface (EGS)

Traffic rated cover

Locking well cover
Christy box

Ready-mix concrete

Volclay bentonite grout

4-inch diameter, flush threaded,
Type 316L stainless steel casing

11-inch diameter boring

Depth Below EGS

1.5'

44.5'

48'

51'

Bentonite pellet seal

Lonestar #1/20-mesh silica sand filter pack

4-inch diameter, flush threaded, continuous slot,
wire wrapped, Type 316L stainless steel screen,
0.010-inch factory slots

71'

Welded stainless steel base plate

← 11" diam. →

Not to Scale

Herzog Associates
Geoscientists

Job No: 15384.02.00.7

Appr: *[Signature]*

Drwn: PD

Date: NOV 1990

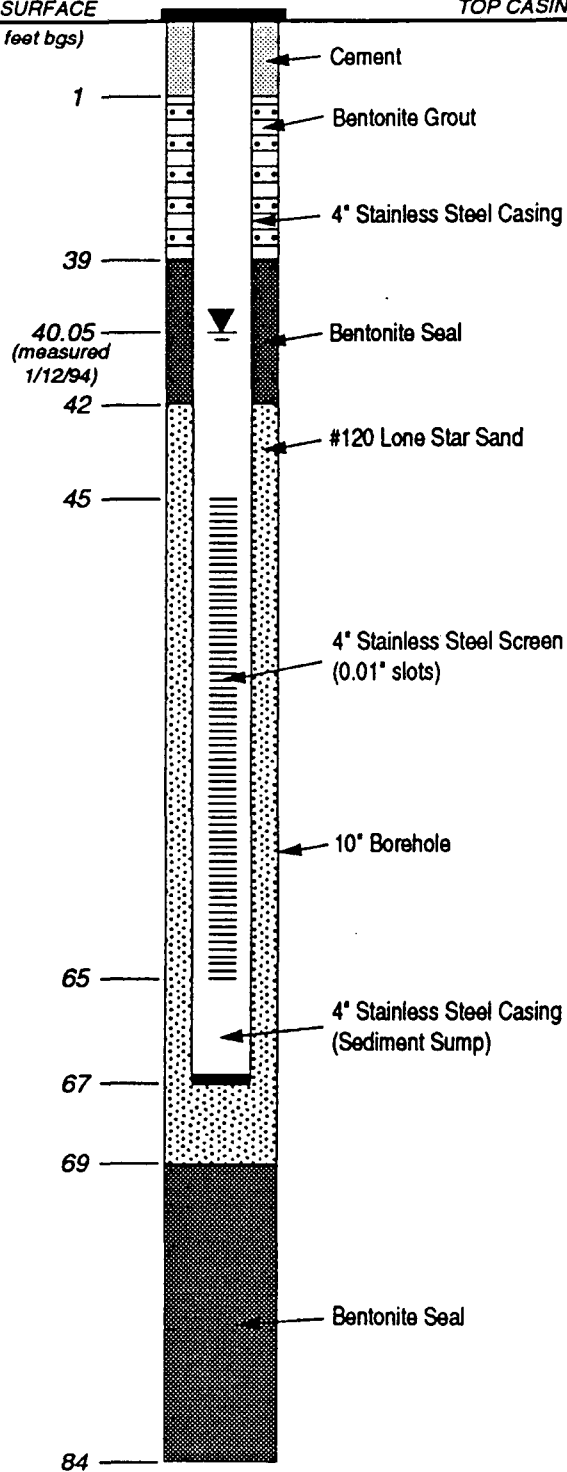
**PIEZOMETER RFB-L3A
(RENAMED M62B)**
PALOS VERDES LANDFILL RI/FS

PLATE

Los Angeles County Sanitation District

**WELL M63B
(formerly AB-2)**

GROUND SURFACE
DEPTH (in feet bgs) TOP CASING ELEVATION: 204.06' MSL
NOT TO SCALE



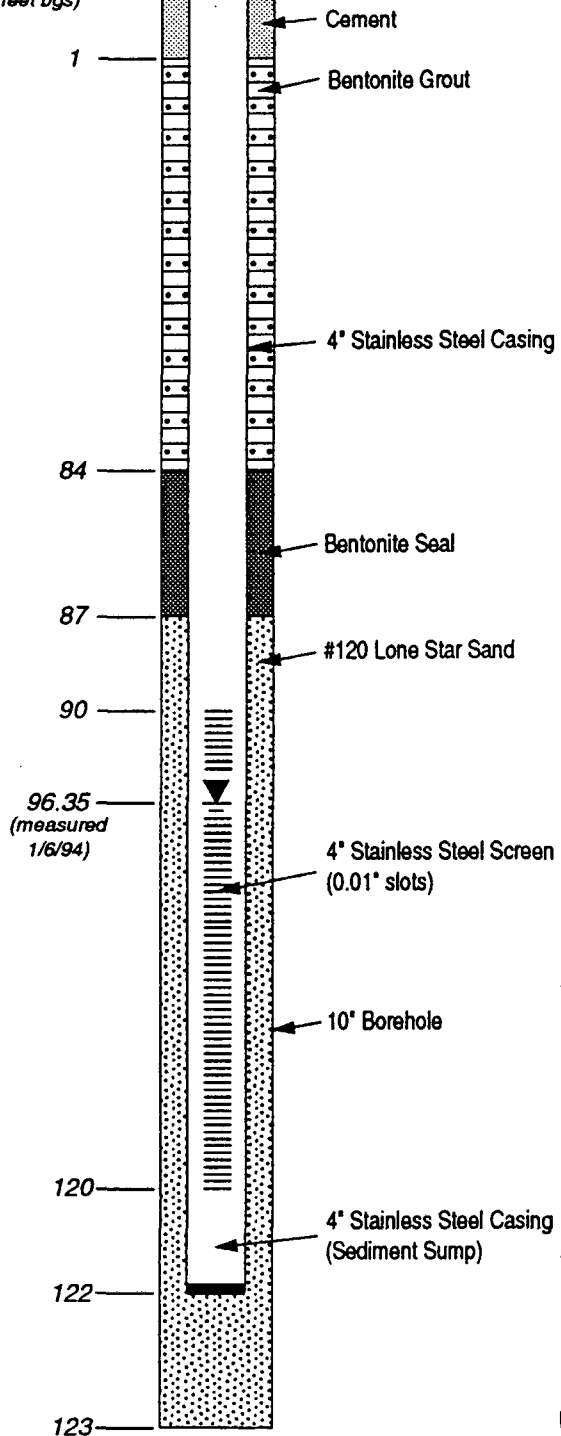
Well installed 1/3/94.

WELL CONSTRUCTION DIAGRAM
Palos Verdes Landfill — Rolling Hills Estates, California
For County Sanitation Districts of Los Angeles County

DAMES & MOORE

WELL M64B
(formerly AB-1A)

GROUND SURFACE **TOP CASING ELEVATION: 244.81' MSL**
DEPTH (in feet bgs) **NOT TO SCALE**



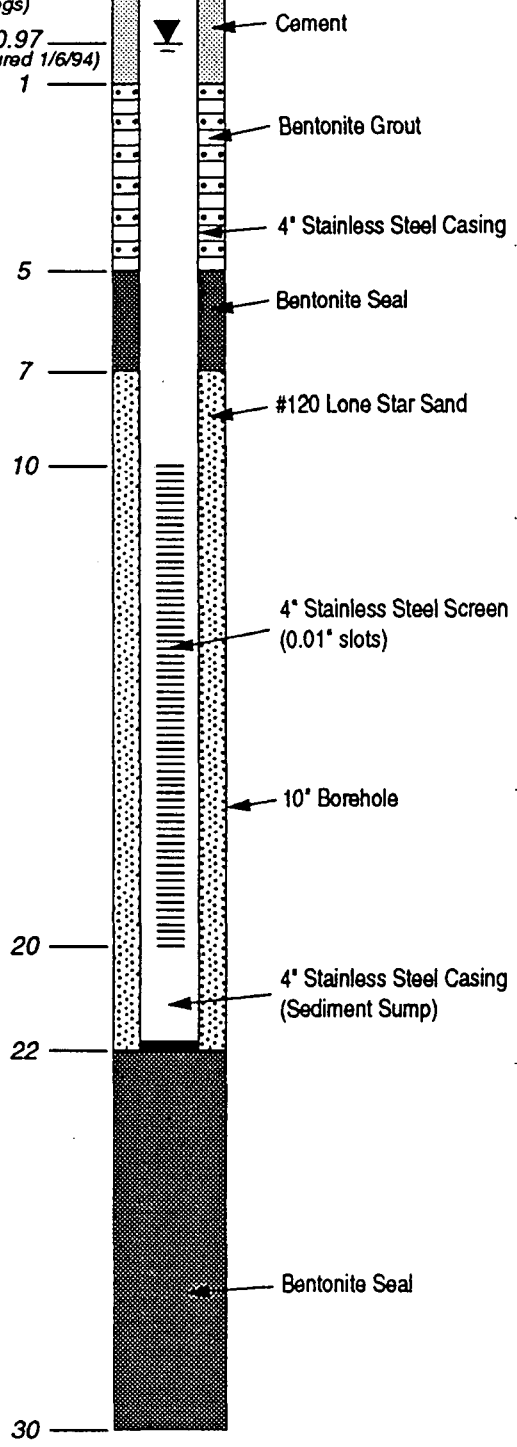
Well installed 12/28/93.

WELL CONSTRUCTION DIAGRAM
Palos Verdes Landfill — Rolling Hills Estates, California
For County Sanitation Districts of Los Angeles County

**WELL M65B
(formerly AB-3)**

GROUND SURFACE
DEPTH (in feet bgs)
TOP CASING ELEVATION: 282.93' MSL
NOT TO SCALE

0.97
(measured 1/6/94)
1



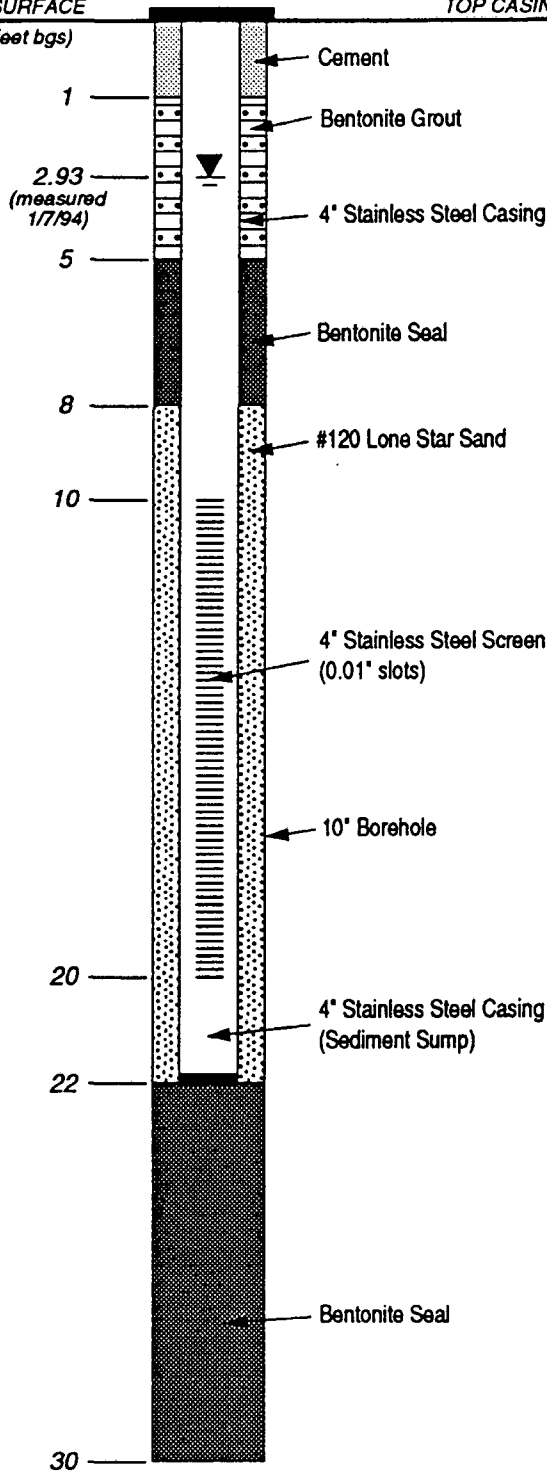
Well installed 12/15/93.

WELL CONSTRUCTION DIAGRAM
Palos Verdes Landfill — Rolling Hills Estates, California
For County Sanitation Districts of Los Angeles County

DAMES & MOORE

WELL M66B
(formerly AB-4)

GROUND SURFACE
DEPTH (in feet bgs) TOP CASING ELEVATION: 264.76' MSL
NOT TO SCALE

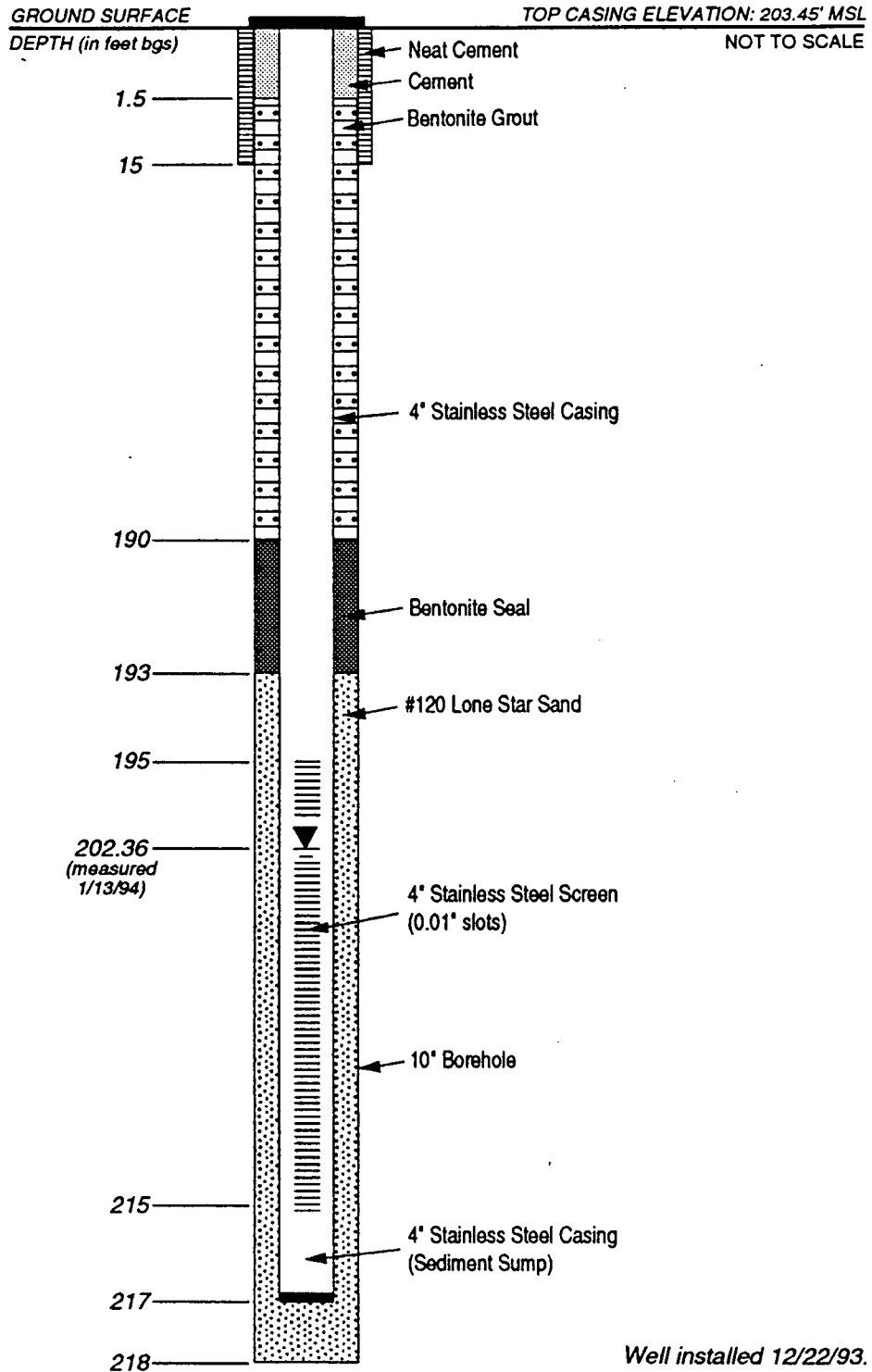


Well installed 12/15/93.

WELL CONSTRUCTION DIAGRAM
Palos Verdes Landfill — Rolling Hills Estates, California
For County Sanitation Districts of Los Angeles County

DAMES & MOORE

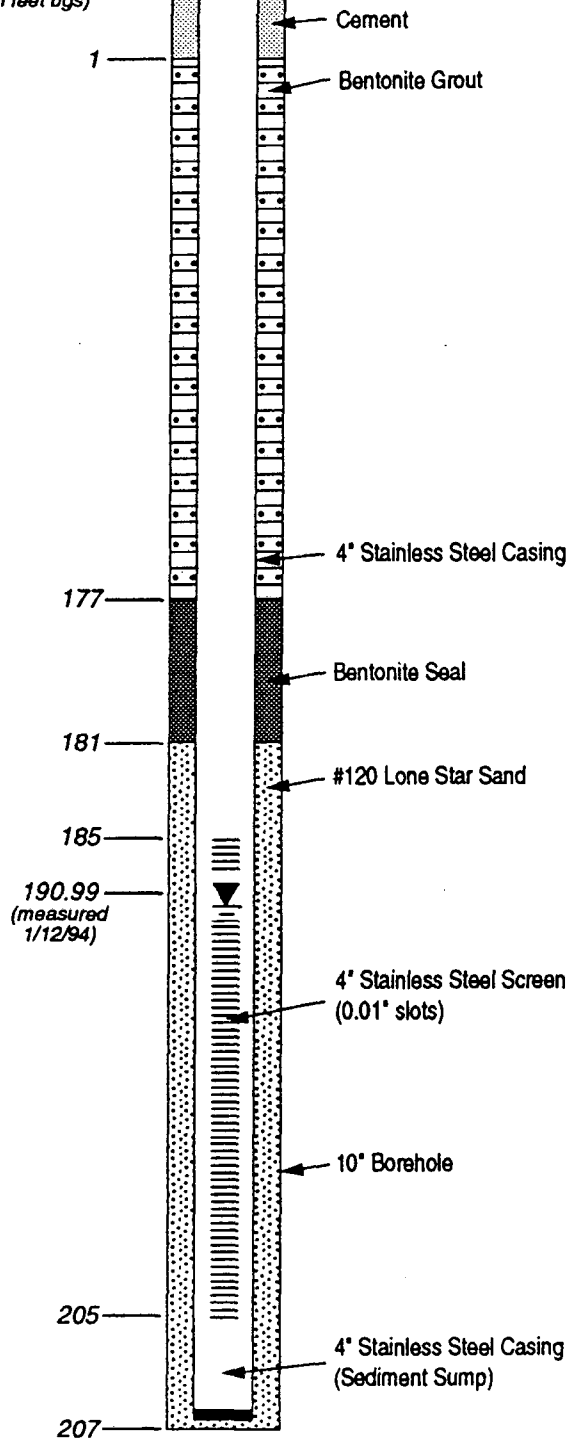
**WELL M67B
(formerly AB-8)**



WELL CONSTRUCTION DIAGRAM
Palos Verdes Landfill — Rolling Hills Estates, California
For County Sanitation Districts of Los Angeles County

WELL M68B
(formerly AB-9)

GROUND SURFACE
DEPTH (in feet bgs) TOP CASING ELEVATION: 179.70' MSL
NOT TO SCALE



Well installed 12/17/93.

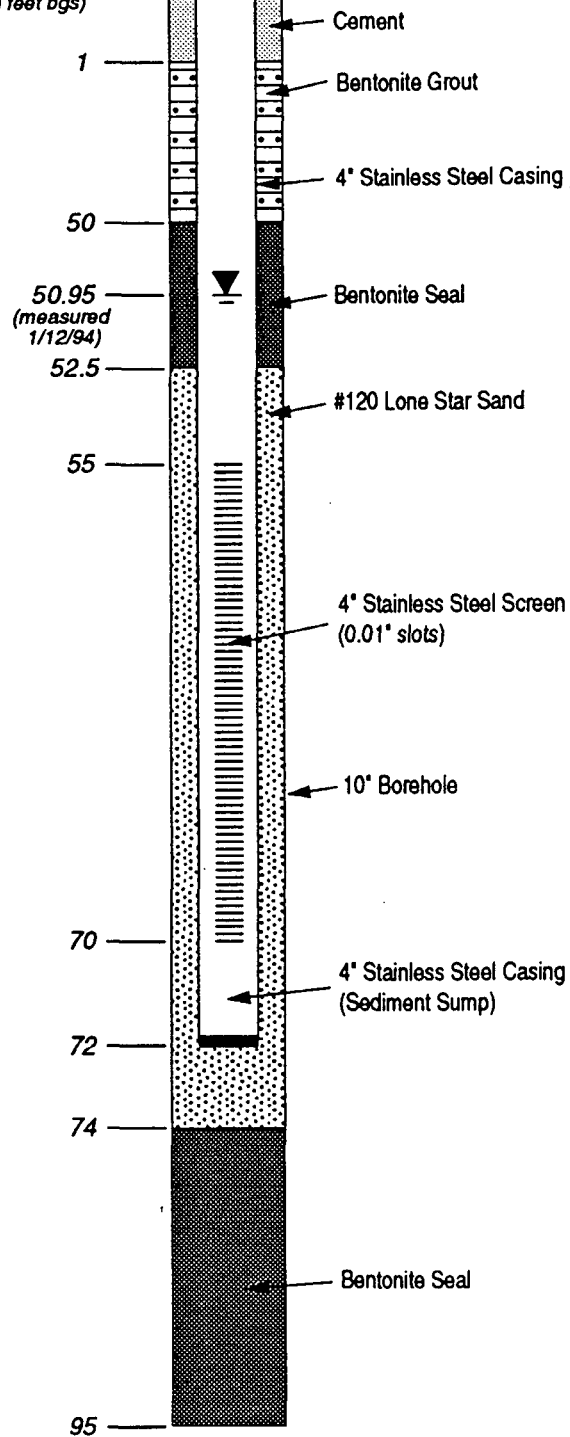
WELL CONSTRUCTION DIAGRAM

Palos Verdes Landfill — Rolling Hills Estates, California
For County Sanitation Districts of Los Angeles County

DAMES & MOORE

**WELL M69B
(formerly AB-6)**

GROUND SURFACE
DEPTH (in feet bgs) TOP CASING ELEVATION: 329.66' MSL
NOT TO SCALE

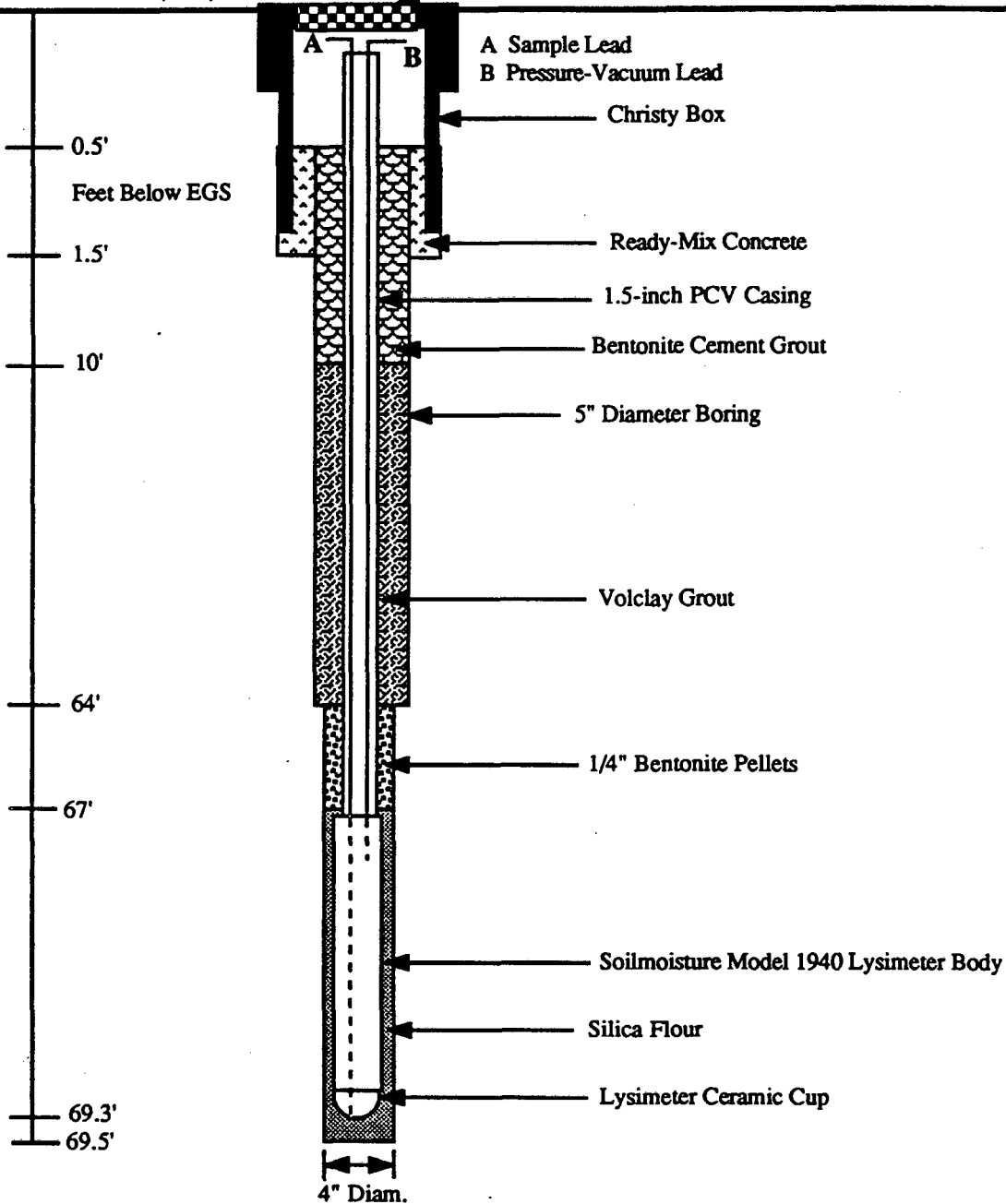


Well installed 12/30/93.

WELL CONSTRUCTION DIAGRAM
Palos Verdes Landfill — Rolling Hills Estates, California
For County Sanitation Districts of Los Angeles County

Existing Ground Surface (EGS)

Traffic Rated Cover



Not To Scale

Herzog Associates
Geoscientists

Job No: 15384.02.00.7

Appr: *[Signature]*

Drawn: PD

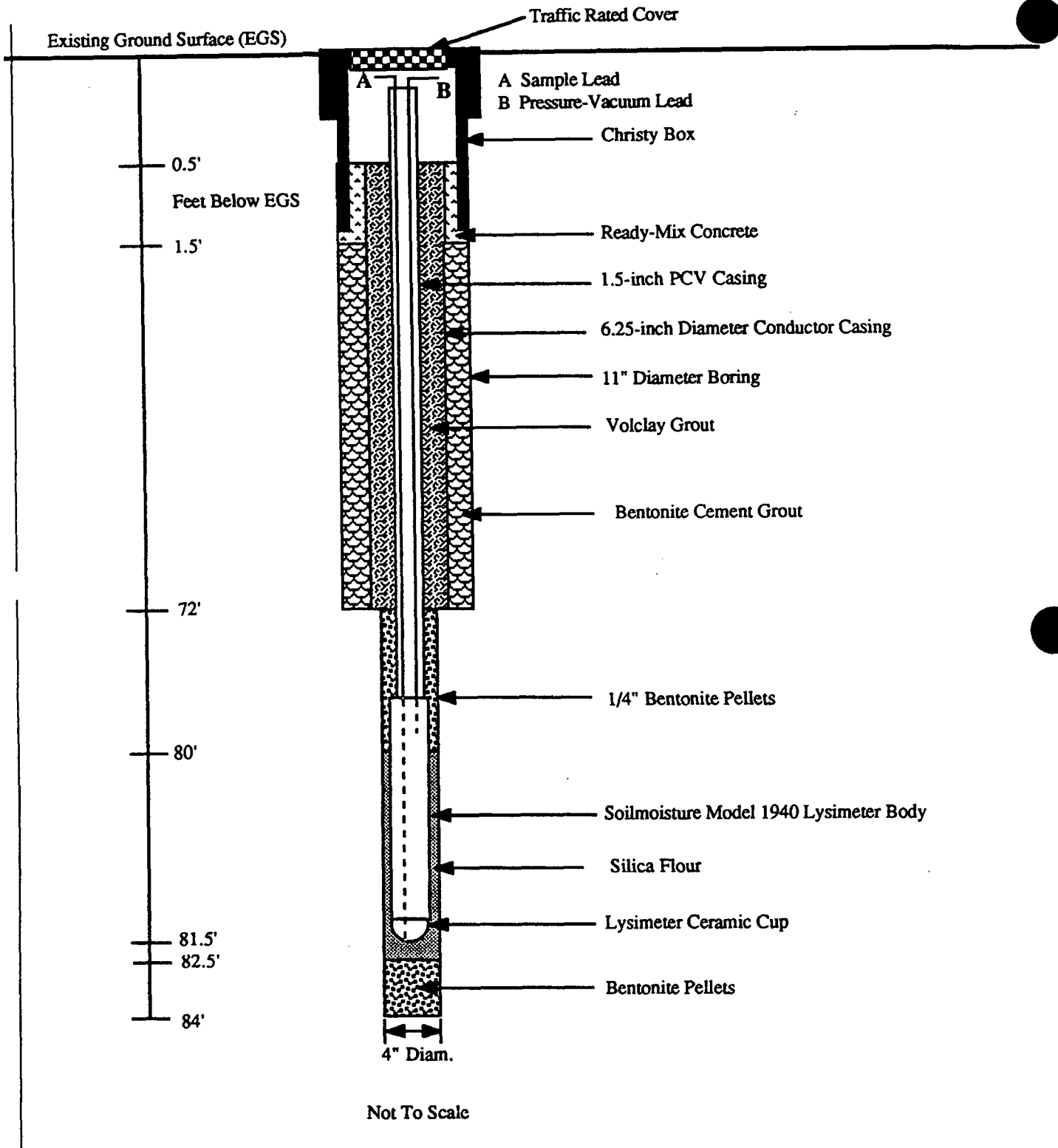
Date: NOV 1990

LYSIMETER L-2A DETAILS (RENAMED L8)

PALOS VERDES LANDFILL RI/FS

Los Angeles County Sanitation District

PLATE



Herzog Associates
Geoscientists

Job No: 15384.02.00.7

Appr: *[Signature]*

Drwn: PD

Date: NOV 1990

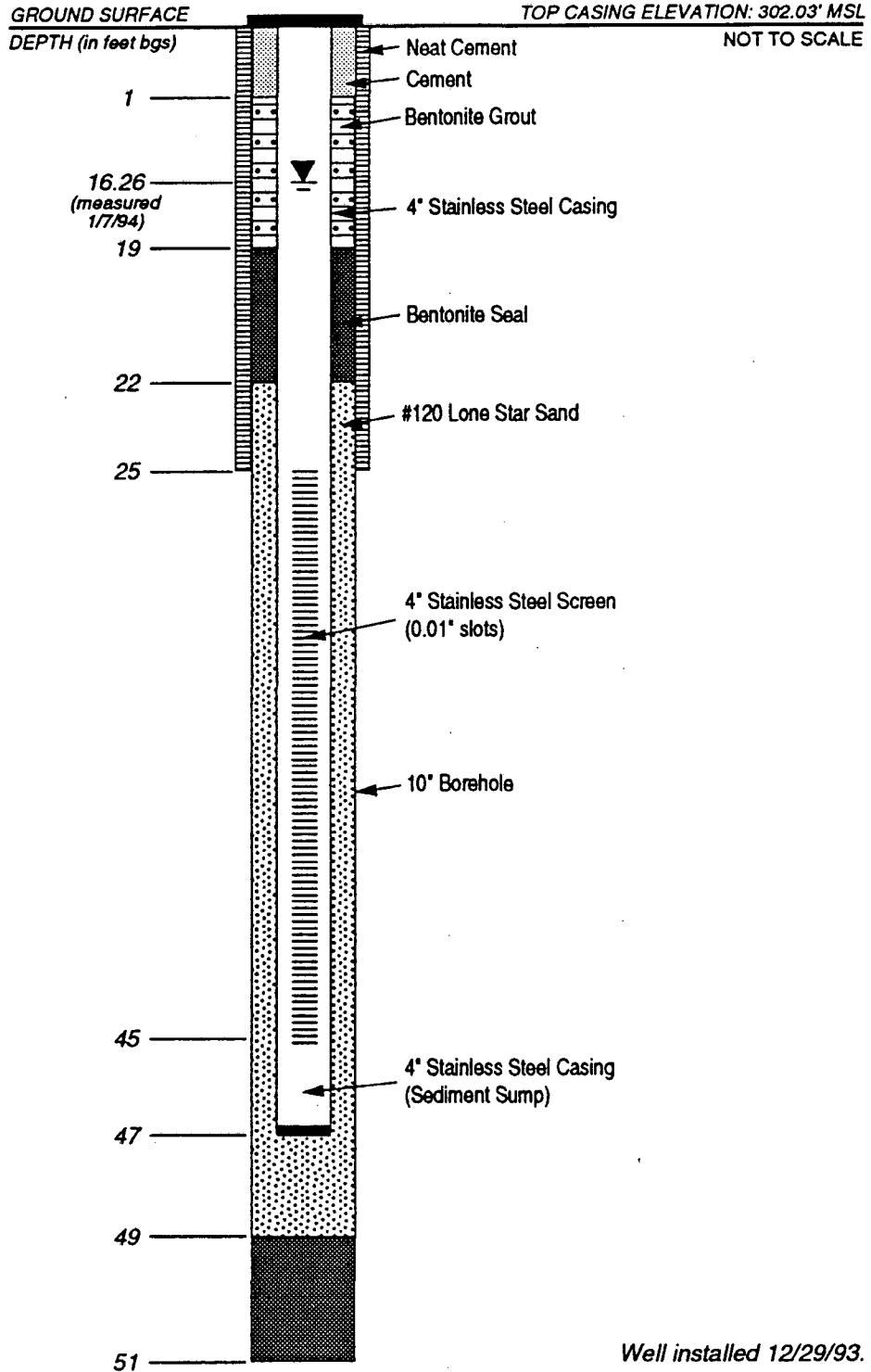
**LYSIMETER L-3B DETAILS
(RENAMED L9)**

PALOS VERDES LANDFILL RI/FS

Los Angeles County Sanitation District

PLATE

**WELL M70B
(formerly AB-7)**

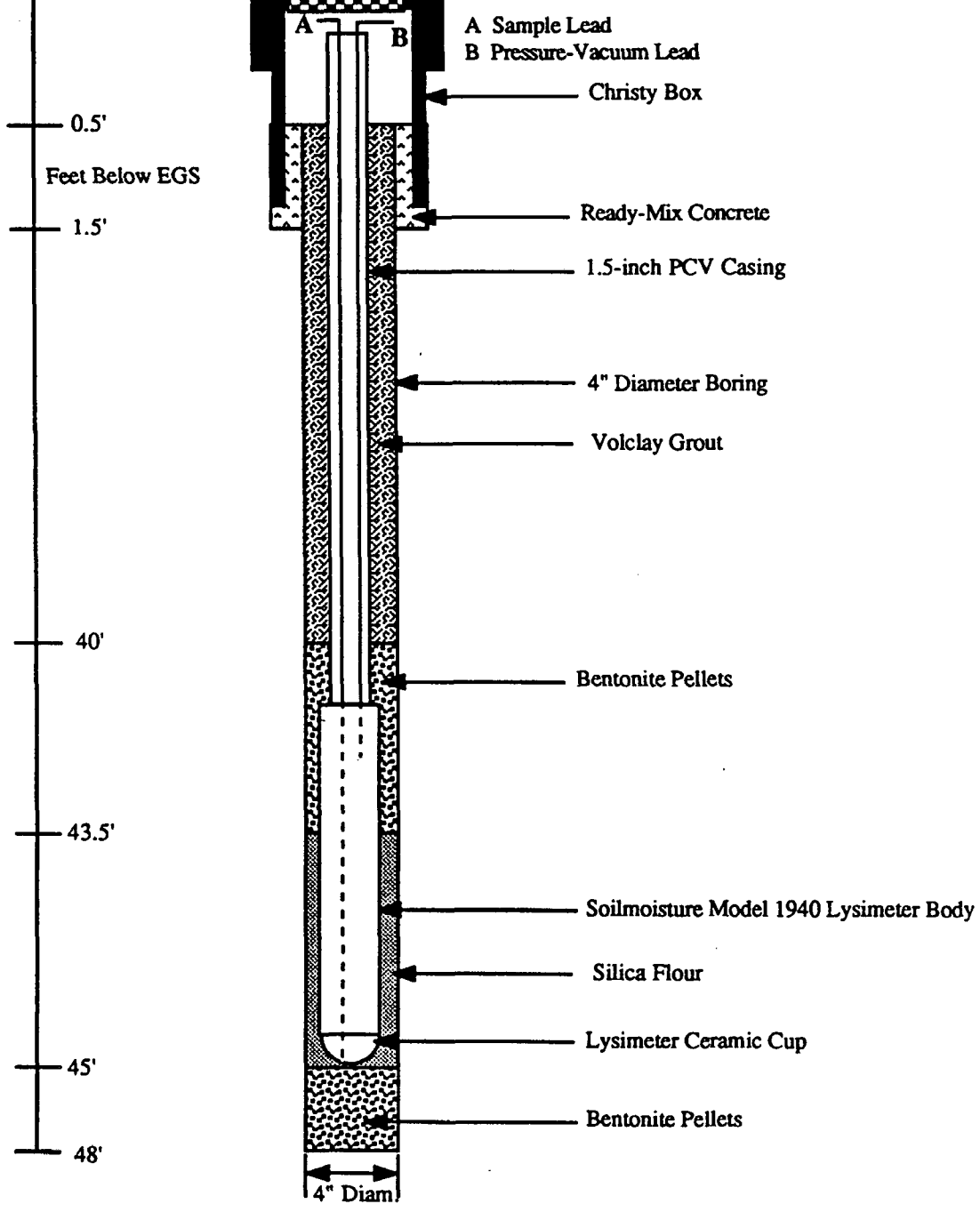


WELL CONSTRUCTION DIAGRAM
 Palos Verdes Landfill — Rolling Hills Estates, California
 For County Sanitation Districts of Los Angeles County

DAMES & MOORE

Existing Ground Surface (EGS)

Traffic Rated Cover



Not To Scale

Herzog Associates
Geoscientists

Job No: 15384.02.00.7

Appr: *[Signature]*

Drwn: PD

Date: NOV 1990

LYSIMETER L-1 DETAILS (RENAMED L7)

PALOS VERDES LANDFILL RI/FS

Los Angeles County Sanitation District

PLATE